

# Illuminated Decking

## Low Voltage, Low Cost & Maintenance Free



Fully encapsulated, waterproof decking strips can be simply pushed up into any drilled wooden deck, step or handrail.

Primarily used to indicate edges or steps, these decorative lights add safety and visual interest to any outdoor area.

**\* Decorative Decking \* Fencing \* Steps \* Handrails \* Summerhouses \* Pergolas \***

Each strip comprises of 4 LED lights with a 1m connection lead. Everything you need is supplied in our installation kit. Simply daisy-chain together the number of required strips and join the last one to the supplied transformer.

Power is supplied from a normal mains socket. All low voltage, these strips are safe and perfect for a DIY project.

3 Colour Options are available ;

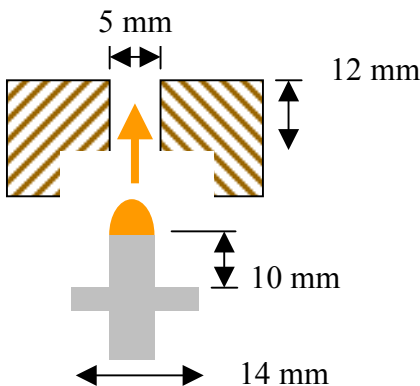


Lights Colour	Cost Per Pack of 5
 Amber	£49.99
 Blue	£69.99
 White	£79.99

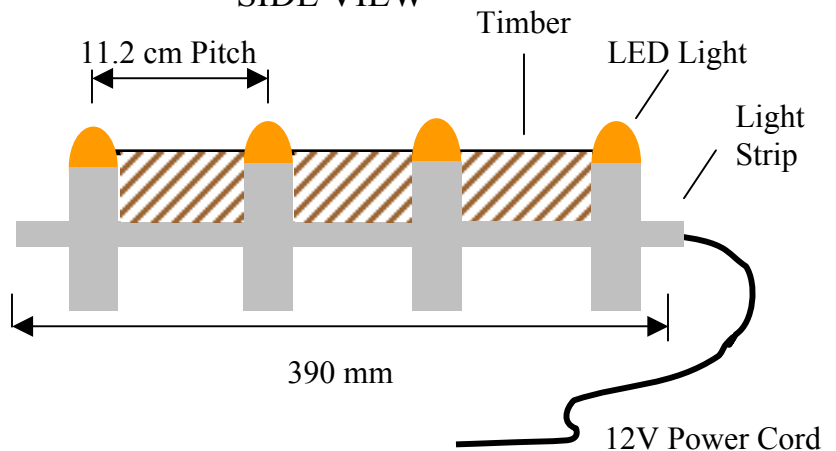
**Ultra Bright**  
**Efficient (½W)**  
**Waterproof (IP68)**  
**Durable**

<b>Installation Kit - Includes transformer, connectors, crimp tool &amp; install guide</b>	
1 to 20 Strips	£29.99
1 to 60 Strips	£ 59.99
1 to 120 Strips	£ 99.99

**END VIEW**



**SIDE VIEW**



**TO PLACE ORDER Tel : 0870 330 8177 Sales@VIPstones.com www.VIPstones.com**